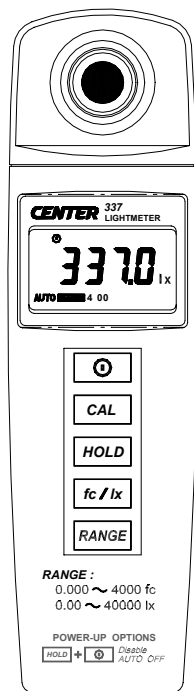


CENTER[®] 337 MINI LIGHT METER

Instruction
Manual



CENTER TECHNOLOGY CORP.

Ver.00

4/F NO.415,Jung-Jeng Rd.,238 Shu-Lin, Taipei, Taiwan

TEL : 886-2-26763926

E-Mail : center@centertek.com

FAX : 886-2-26763925

http : // www.centertek.com

I. Safety Information

Read the following safety information carefully before attempting to operate or service the meter.

Use the meter only as specified in this manual; otherwise, the protection provided by the meter may be impaired.

> Environment Conditions

- ① Altitude up to 2000 meters
- ② Relative humidity 90% max.
- ③ Operation Ambient 0 to 40°C

> Maintenance & Clearing

- ① Repairs or servicing not covered in this manual should only be performed by qualified personnel.
- ② Periodically wipe the case with a dry cloth. Do not use abrasives or solvents on this instrument.

> Safety symbols

CE Comply with EMC

When servicing, use only specified replacement parts.

II. General Description :

Thank you for using our Light Meter. To ensure that you can get the most from it, we recommend that you read and follow the manual carefully before use. The Light Meter has been designed, manufactured, and delivered under strict quality control criteria by a factory certified.

- Easy to use
- Automatic zero
- Automatic range

III. Specifications

Measuring ranges :

0.00 to 39.99/399.9/3999/39990 lx

0.000 to 3.999/39.99/399.9/3999 fc

automatic/manual selection of range

Resolution : 0.01 lx ~ 10 lx ; 0.001 fc ~ 1 fc

Accuracy : ±3% rdg ±5 dgts

Temperature characteristics : ±0.1% /°C

Response time : 0.5 sec.

Light detector : Si Photodiode

Operation temp./humidity :

0°C ~ 40°C (32°F ~ 104°F) • 0 ~ 80% RH

Storage temp./humidity :

-10°C ~ 50°C (14°F ~ 122°F) • 0 ~ 70% RH

Over range : "----" display

Power supply :

one 9V battery • 006P or IEC 6F22 or NEDA 1604

Power life : Approx. 170 hours (Alkaline battery)

Dimensions :

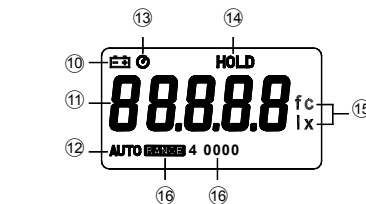
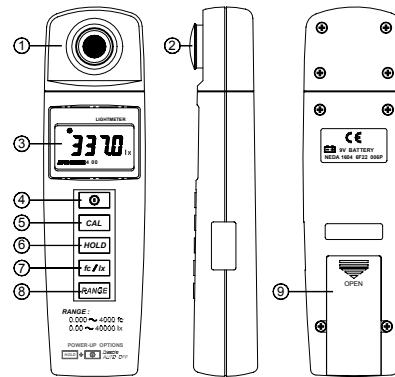
196(L) × 54(W) × 33(H) mm

7.7(L) × 2.1(W) × 1.3(H) inch

Weight : Approx. 180g

Accessories : 9V battery , instruction manual

IV. Name and functions :



- ① Light detecting surface
- ② Protect cover
- ③ LCD display
- ④ Power button
- ⑤ CAL button : Quick enter measuring mode

During the measuring mode, press CAL button and the value of zero will be auto-displayed.

⑥ HOLD button :

The user may hold the present reading and keep it on the LCD display by pressing the "HOLD" button. To release the held data operation by pressing it again. The user can press the button when the value is hard to read, such as measuring in the dark place.

⑦ fc/lx selector button

⑧ Range selector button :

This button is used to select automatic range and manual range. Manual range enables an arbitrarily four range to be set. If a fixed range is used, measuring values will response quickly. The user can read easily.

The range configuration is as follows:

Auto , 40 , 400 , 4000 , 40000 lx

Auto , 4 , 40 , 400 , 4000 fc

⑨ Battery cabinet cover

⑩ Indicate low battery voltage

⑪ Measuring readout

⑫ Indicate automatic range mode

⑬ Indicate meter in automatic power off mode

This Light Meter provides an automatic power-off function in order to avoid using up the battery if you forget to turn off the power. The meter will power off itself after 30 minutes if no key is operated.

⑭ Indicate data hold

⑮ Unit of illuminance

⑯ Indicate range

Note : 1fc = 10.76lx

V. Operation :

Press the power button to turn on the power. Notice that covering the light-detecting surface with the cap. [CAP] will auto-appear on the LCD display. After [CAL] appears, the meter enters the automatic zero adjustment. When automatic zero adjustment is completed, [CAP] disappears and "0.00" appears. After confirming the "0.00" display, remove the cap to start measuring.

After the measurement has been completed, press the power button again to turn off the power, and cover the light-detecting surface with the cap for protecting against stray light.

Note :

If [Err 1] appears, check the cap to make sure it is on properly.

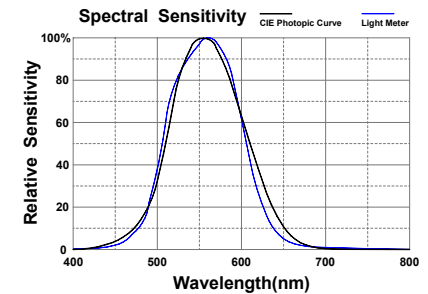
Press and hold the HOLD button, and then power on the meter, release all button to disable the AUTO POWER OFF function.

"⊙" symbol will disappear on the LCD display.

VI. Replacement of battery :

When the battery voltage drops below the operating voltage , a [BAT] " symbol will appear on the LCD display. In this case, replace a new battery immediately.

VII. Characteristics of relative visible-spectrum response :



VIII. Precautions on handling :

Operating carefully, and do not drop the meter or hit it with a hard object. Avoid using the meter in a dirty, dusty, or salt-air area or where there are corrosive gases. If dirt or dust adhered to the surface of detecting light, will decrease accuracy of the measuring value. To clean the surface by wiping with a soft and dry cloth.