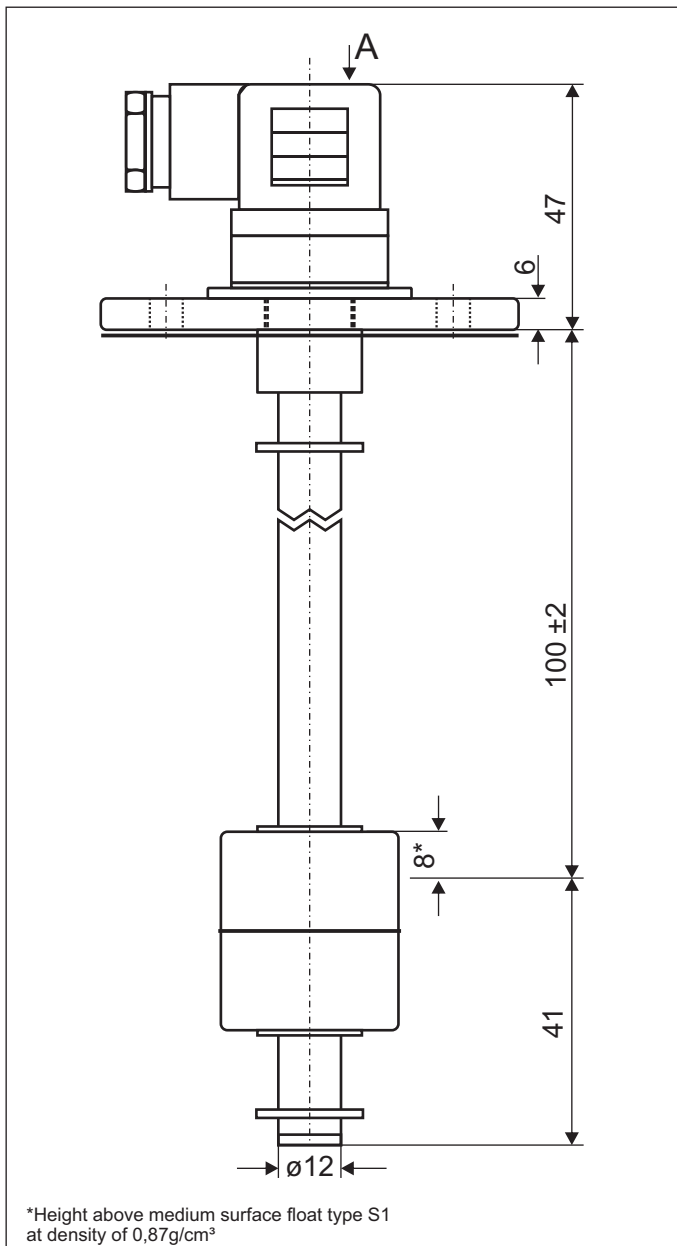
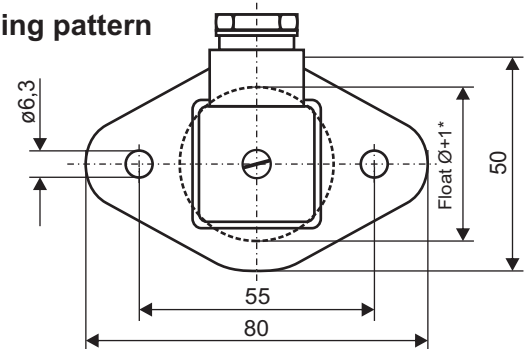


Data sheet
Float switch
Type: SSM.1.B4.100.5.S1.T800

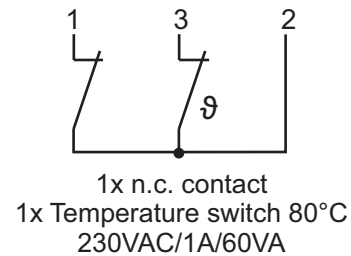
part no.: G104394



Drilling pattern



Terminal diagram



Technische Daten

Connection:	plug-type connector 3 pole + PE, DIN EN 175301-803 (DIN 43650), material PA,
Mounting:	oval flange 80x50mm, material PA
Seal:	material NBR
Tube:	Ø12mm, material brass, length 141±1mm
Float:	Ø35x40mm, material PP, type S1
Switching point level:	reed contact: 1x NC contact B4 opens on level drop
Switching point temperature:	bi-metal: 1x NC 80°C; Accuracy: ±5°C
Switching capacity level:	switchback point: 55±15°C
temperature:	max. 230 VAC / 1A / 60VA
Pressure:	max. 230VAC / 1A
Operating temperature:	max. 1 bar
Protection rating:	-20°C to 80°C in medium, -20°C to 70°C above mounting
	IP 65