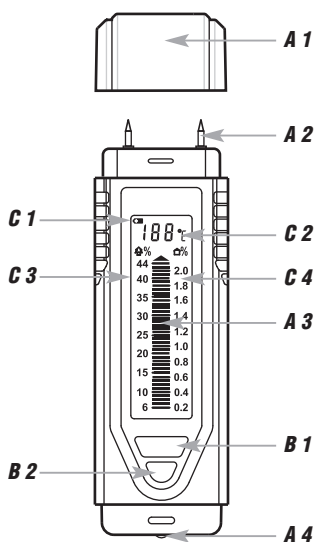


Fig. 1

Cat.-No. 30.5506.01

Fig. 2

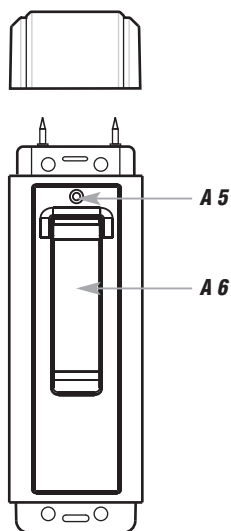
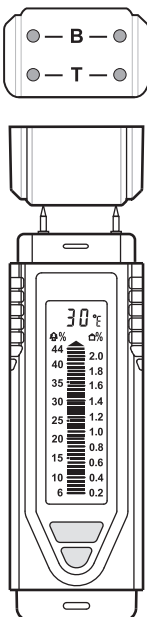



Fig. 3

## Instruction manual Cat.-No. 30.5506.01

(GB)

### Moisture meter for wood and building materials

Thank you for choosing this instrument from TFA.

#### 1. Before you use this product

- Please make sure you read the instruction manual carefully.
- Following and respecting the instructions in your manual will prevent damage to your instrument and loss of your statutory rights arising from defects due to incorrect use.
- We shall not be liable for any damage occurring as a result of non-following of these instructions. Likewise, we take no responsibility for any incorrect readings or for any consequences resulting from them.
- Please take particular note of the safety advice!
- Please keep this instruction manual safe for future reference.

#### 2. Application

- For measuring the degree of moisture in wood (including paper and cardboard) as well as in soft building materials (mortar, concrete and plaster).

#### 3. For your safety

- This product is exclusively intended for the range of application described above. It should only be used as described within these instructions.
- Unauthorized repairs, alterations or changes to the product are prohibited.



**Caution!**  
Risk of injury:

- Be careful when handling the pointed probes. Store the device with its protective cap.
- Keep this instrument and the batteries out of reach of children.
- Batteries contain harmful acids and may be hazardous if swallowed. If a battery is swallowed, this can lead to serious internal burns and death within two hours. If you suspect a battery could have been swallowed or otherwise caught in the body, seek medical help immediately.
- Low batteries should be changed as soon as possible to prevent damage caused by leaking.
- Never use a combination of old and new batteries together, nor batteries of different types.
- Wear chemical-resistant protective gloves and safety glasses when handling leaking batteries.



**Important information  
on product safety!**

- Do not expose the device to extreme temperatures, vibrations or shocks.

#### 4. Elements

##### A: Housing (Fig. 1+2)

- A 1: Protective cap
- A 2: Measuring probes
- A 3: LCD display
- A 4: Illumination LED
- A 5: Battery compartment
- A 6: Clip for fixing

##### B: Buttons (Fig. 1)

- B 1: ON/SET button
- B 2: Light button

##### C: Display (Fig. 1)

- C 1: Battery symbol
- C 2: Indication of ambient temperature
- C 3: Scale for wood moisture measurement (6-44%)
- C 4: Scale for building materials moisture measurement (0.2-2.0%)

#### 5. Getting started

- Open the battery compartment at the back with a suitable screwdriver.
- Insert four new AAA 1.5 V batteries, polarity as illustrated.
- Tighten the battery compartment lid back on.

## Instruction manual Cat.-No. 30.5506.01

- Press the **ON/SET** button to switch on the instrument.
- The device displays the ambient temperature in °C.
- Press and hold the **ON/SET** button to change between °C (Celsius) or °F (Fahrenheit) as temperature unit.
- The scale for wood moisture measurement and the scale for building materials moisture measurement appear on the display.
- The device is ready for use.
- When the instrument is not used, it will automatically switch off after approx. 30 seconds.


#### 5.1 Function test (Fig. 3)

- Press the **ON/SET** button to switch on the instrument.
- Pull off the protective cap and turn it around.
- Hold both probes against the contacts (B and T).
- **T**: Reference value for wood: display should be at 19% ±1
- **B**: Reference value for building materials: all indicator bars should flash
- If the function test is successful, you can start the measuring procedure.
- For storing you can put the cap on the bottom side.

#### 5.2 Performing the measurement

- To measure the moisture in a material, press both probes into the wood and/or material to be tested.
- The measurement is finished as soon as the result appears on the display.
- Pull the probes carefully out of the object.

#### Degree of moisture in wood, cardboard, paper

Dry	<14%	
Normal	14-20%	
Wet	>20%	

#### Degree of moisture in building materials (mortar, concrete, plaster)

Dry	<0.4 %	
Normal	0.4-1.1 %	
Wet	>1.1 %	

#### 6. Backlight

- If you press and hold the light button, the illumination switches on.
- The automatic off-function is deactivated.
- Press the light button shortly to switch off the illumination.

#### 7. Care and maintenance

- Clean the instrument with a soft damp cloth. Do not use solvents or scouring agents. Protect it from moisture!
- Remove the batteries if the device will not be used for an extended period of time.
- Store the device in a dry place.

#### 7.1 Battery replacement

- Change the batteries when the battery symbol appears on the display.

#### 8. Trouble shooting

Problem	Solution
No display	→ Switch on the device → Ensure the batteries' polarities are correct → Change the batteries
Incorrect indication	→ Change the batteries → Check the correct position of the probes → Repeat the measurement
All indicator bars flash	→ Measuring range is exceeded
Function test is not successful	→ Change the batteries → Clean the contacts

If your device fails to work despite these measures, contact the retailer where you purchased the product.

## Instruction manual Cat.-No. 30.5506.01

#### 9. Waste disposal



Never dispose of empty batteries and rechargeable batteries with ordinary household waste.

As a consumer, you are required by law to take them to your retail store or to an appropriate collection site depending on national or local regulations in order to protect the environment.

The symbols for the contained heavy metals are: Cd=cadmium, Hg=mercury, Pb=lead



This product is labelled in accordance with the EU Waste Electrical and Electronic Equipment Directive (WEEE).

Please do not dispose of this product in ordinary household waste. As a consumer, you are required to take end-of-life devices to a designated collection point for the disposal of electrical and electronic equipment, in order to ensure environmentally-compatible disposal.

#### 10. Specifications

##### Power consumption

Batteries 4 x 1,5 V AAA  
(not included)  
Use alkaline batteries

##### Wood

Measuring range  
6%...44%

##### Accuracy

±2% at 6 %...29 %  
±4% at 30 %...44 %

##### Resolution

1% (one graduation mark)

##### Building materials

Measuring range  
0.2%...2.0%

##### Accuracy

±0.1% at 0.2 %...1.35 %  
±0.2% at 1.4 %...2.0 %

##### Resolution

0.05% (one graduation mark)

##### Temperature

Measuring range  
0 °C...40 °C (32...104 °F)

##### Resolution

1 °C (2 °F)

##### Storing temperature and humidity

-10 °C...50 °C / < 85 %

##### Operating temperature/humidity

0 °C ... 40 °C / < 85 %

##### Housing dimension

44 x 34 x 144 mm

##### Weight

103 g (device only)

No part of this manual may be reproduced without written consent of TFA Dostmann. The technical data are correct at the time of going to print and may change without prior notice. The latest technical data and information about this product can be found in our homepage by simply entering the product number in the search box.

www.tfa-dostmann.de  
E-Mail: info@tfa-dostmann.de

TFA Dostmann GmbH & Co.KG  
Zum Ottersberg 12, D-97877 Wertheim,  
Germany

09/20