

*Bedienungsanleitung
Instruction manual
Mode d'emploi
Istruzioni per l'uso
Gebruiksaanwijzing
Instrucciones de uso*

TFA®



CE UK RA

Instruction manuals **Kat. Nr. 30.3063**
www.tfa-dostmann.de/en/service/downloads/instruction-manuals

Fig. 1

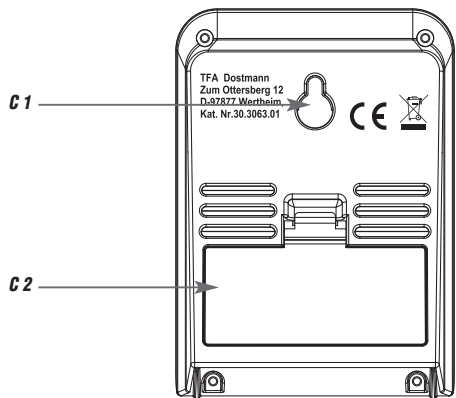
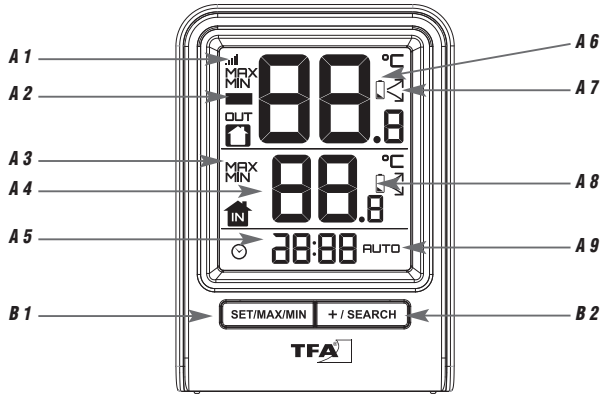
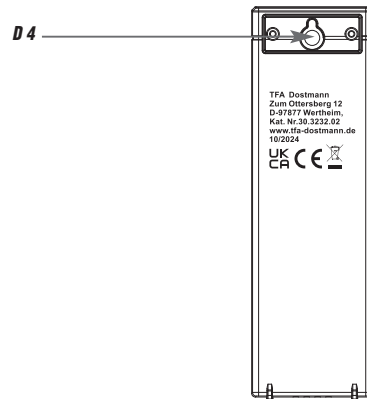
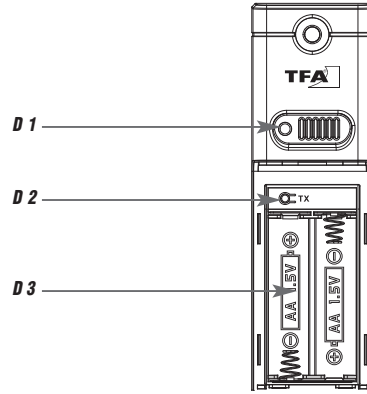


Fig. 2



Wireless thermometer



Thank you for choosing this instrument from TFA.

1. Before you use this product

- Please make sure you read the instruction manual carefully.
- Following and respecting the instructions in your manual will prevent damage to your instrument and loss of your statutory rights arising from defects due to incorrect use.
- We shall not be liable for any damage occurring as a result of non-following of these instructions. Likewise, we take no responsibility for any incorrect readings or for any consequences resulting from them.
- Please pay particular attention to the safety notices!
- Please keep this instruction manual safe for future reference.

2. Delivery contents

- Wireless thermometer (base station)
- Outdoor transmitter Cat.-No. 30.3232.02
- Instruction manual

3. Range of application and all the benefits of your new instrument at a glance

- Outdoor temperature over wireless outdoor transmitter (max. 100 m)
- Indication of indoor temperature
- Trend arrows
- Maximum and minimum values
- Clock
- Wall mounting or table stand

4. For your safety

- This product is exclusively intended for the range of application described above.
- It should only be used as described within these instructions.
- Unauthorized repairs, alterations or changes to the product are prohibited.



Caution!
Risk of injury:

- Keep these devices and the batteries out of reach of children.
- Small parts can be swallowed by children (under three years old).

Wireless thermometer



- Batteries contain harmful acids and may be hazardous if swallowed. If a battery is swallowed, this can lead to serious internal burns and death within two hours. If you suspect a battery could have been swallowed or otherwise caught in the body, seek medical help immediately.
- Batteries must not be thrown into a fire, short-circuited, taken apart or recharged. **Risk of explosion!**
- Low batteries should be changed as soon as possible to prevent damage caused by leaking.
- Never use a combination of old and new batteries together, nor batteries of different types.
- Avoid contact with skin, eyes and mucous membranes when handling leaking batteries. In case of contact, immediately rinse the affected areas with water and consult a doctor.



Important information on product safety!

- Do not expose the devices to extreme temperatures, vibrations or shocks.
- Protect the base station from moisture.
- The outdoor transmitter is splashproof, but not watertight. When placed outdoors, choose a shady and dry place for the transmitter.

5. Elements (Fig. 1)

5.1 Base station (Receiver)

Display

- A 1:** Reception symbol
- A 2:** Outdoor temperature
- A 3:** Max/min values
- A 4:** Indoor temperature
- A 5:** Time
- A 6:** Battery symbol for the transmitter
- A 7:** Trend arrows
- A 8:** Battery symbol for base station
- A 9:** Symbol for auto-reset of the maximum-minimum values

Buttons

- B 1:** **SET/MAX/MIN** button
- B 2:** **+ /SEARCH** button

Wireless thermometer



Housing

- C 1:** Mounting hole
C 2: Battery compartment

5.2 Transmitter (Fig. 2)

- D 1:** LED signal lamp
D 2: TX button
D 3: Battery compartment
D 4: Mounting hole

6. Getting started

6.1 Insert the batteries

- Place the instruments on a table at a distance of about 1.5 meters from each other. Avoid being close to possible sources of interference such as electronic devices and radio equipment.
- Open the battery compartment of the base station and insert two new AAA 1.5V batteries, polarity as illustrated.
- All segments will be displayed briefly.
- Close the battery compartment again.
- Open the battery compartment of the outdoor transmitter.
- Insert two new AA 1,5 V batteries, polarity as illustrated.
- Close the battery compartment again.

6.2 Reception of outdoor transmitter

- After inserting the batteries into the outdoor transmitter the transmitter will automatically transmit the temperature. The reception symbol will be flashing on the display.
- If the reception of outdoor temperature fails, "- -" appears on the display. Check the batteries and try it again. Check if there is any source of interference.
- You can also start the initialization manually. Press and hold the **+/SEARCH** button on the base station for three seconds.
- "- -" appears on the display and the reception symbol flashes on the display. The base station will scan again the outdoor temperature.
- Press the **TX** button in the transmitter's battery compartment.

Wireless thermometer



7. Operation

- The device will automatically quit the setting mode if no button is pressed for 20 seconds.
- Press and hold the **+/SEARCH** button in setting mode for fast mode.

8. Settings

- Press and hold the **SET/MAX/MIN** button in normal mode.
- The hour digit flashes on the display.
- Press **+/SEARCH** button to adjust the hours.
- Confirm the setting with the **SET/MAX/MIN** button and set minutes in the same way.
- Confirm the setting with the **SET/MAX/MIN** button.
- MAX/MIN flashes on the display.
- Press the **+/SEARCH** button to activate the automatic reset of the maximum-minimum values (AUTO).
- Confirm the setting with the **SET/MAX/MIN** button.
- The set time appears on the display.

9. Maximum/Minimum function

- Press the **SET/MAX/MIN** button in normal mode.
- MIN appears on the display.
- The minimum values measured since the last reset appear on the display.
- Press the **SET/MAX/MIN** button again.
- MAX appears on the display.
- The maximum values measured since the last reset appear on the display.
- Press the **SET/MAX/MIN** button again to return to normal mode.
- The device will automatically quit the MAX/MIN mode if no button is pressed for a long period of time.

9.1 Reset to the current temperature

9.1.1 Manual reset (default)

- Press and hold the **SET/MAX/MIN** button when the maximum or minimum values are displayed to reset the corresponding values.

9.1.2 Automatic reset (activate AUTO in setting mode)

- There is an automatic daily reset of maximum and minimum temperature (midnight 00:00).

Wireless thermometer

GB

10. Trend arrows

- The trend arrow on the display indicates if the temperature values are increasing or decreasing. If the values remain the same, there is no display.

11. Positioning and mounting of the base station and the transmitter

- The base station can be placed onto any flat surface or wall mounted (mounting hole) at your chosen location. Make sure you avoid the vicinity of any source of interference such as computer screens, TV sets or solid metal objects.
- The transmitter can be wall mounted (mounting hole at the back). When placed outdoors, choose a shady and dry place for the transmitter. Direct sunlight may trigger incorrect measurement and continuous humidity damages the electronic components needlessly.
- Once the desired location is chosen, check whether the transmission from the transmitter to the base station is possible (transmission range of up to 100 m in open areas). Within solid walls, especially ones with metal parts, the transmission range can be reduced considerably.
- If necessary choose another position for the transmitter and/or base station.

12. Care and maintenance

- Clean the device with a soft damp cloth. Do not use solvents or scouring agents.
- Remove the batteries if you do not use the devices for a long period of time.
- Store the devices in a dry place.

12.1 Battery replacement

- Change the batteries of the outdoor transmitter, when the battery symbol appears on the display of the outdoor temperature.
- Change the base station batteries, when the battery symbol appears on the display of the indoor temperature.
- **Please note:** When the batteries are changed, the contact between the transmitter and the base station must be restored – so always insert new batteries into both devices or start a manual transmitter search.

13. Troubleshooting

Problem	Solution
No indication on the base station	→ Ensure the batteries' polarity are correct → Change the batteries

Wireless thermometer

GB

No transmitter reception
Display "--"

- No outdoor transmitter is installed
- Check the outdoor transmitter's batteries (do not use rechargeable batteries!)
- Restart the outdoor transmitter and the base station according to the manual
- Manual search for the transmitter (according to the manual)
- Choose another place for the outdoor transmitter and/or the base station
- Reduce the distance between the outdoor transmitter and the base station
- Check if there is any source of interference

Incorrect indication

- Change the batteries

If your device fails to work despite these measures, contact the retailer where you purchased the product.

14. Waste disposal

This product and its packaging have been manufactured using high-grade materials and components which can be recycled and reused. This reduces waste and protects the environment.

Dispose of the packaging in an environmentally friendly manner using the collection systems that have been set up.



Disposal of the electrical device

Remove non-permanently installed batteries and rechargeable batteries from the device and dispose of them separately.

This product is labelled in accordance with the EU Waste Electrical and Electronic Equipment Directive (WEEE).

This product must not be disposed of in ordinary household waste. As a consumer, you are required to take end-of-life devices to a designated collection point for the disposal of electrical and electronic equipment, in order to ensure environmentally-compatible disposal. The return service is free of charge. Observe the current regulations in place!

Wireless thermometer**Disposal of the batteries**

Never dispose of empty batteries and rechargeable batteries with ordinary household waste. They contain pollutants which, if improperly disposed of, can harm the environment and human health. As a consumer, you are required by law to take them to your retail store or to an appropriate collection site depending on national or local regulations in order to protect the environment. The return service is free of charge.

The symbols for the contained heavy metals are:
Cd=cadmium, Hg=mercury, Pb=lead.

15. Specifications**Base station:**

Measuring range	
Indoor temperature	0 °C... +50 °C
Power consumption	2 x 1,5 V AAA (batteries not included)
Dimensions	67 x 35 x 93 mm
Weight	65 g (device only)

Outdoor transmitter:

Measuring range	
Outdoor temperature	-40 °C... +60 °C
Range	max. 100 m (open field)
Transmission frequency	433 MHz
Maximum radio-frequency power	< 10mW
Power consumption	2 x 1,5 V AA
We recommend Alkaline batteries	(batteries not included)
Dimensions	40 x 21 x 130 mm
Weight	47 g (device only)

Wireless thermometer

No part of this manual may be reproduced without written consent of TFA Dostmann. The technical data are correct at the time of going to print and may change without prior notice.

The latest technical data and information about this product can be found in our homepage by simply entering the product number in the search box.

EU Declaration of conformity

Hereby, TFA Dostmann declares that the radio equipment type 30.3063 is in compliance with Directive 2014/53/EU. The full text of the EU declaration of conformity is available at the following Internet address:

www.tfa-dostmann.de/service/downloads/ce

www.tfa-dostmann.de

E-Mail: info@tfa-dostmann.de

TFA Dostmann GmbH & Co. KG,
Zum Ottersberg 12, 97877 Wertheim, Germany

09/24