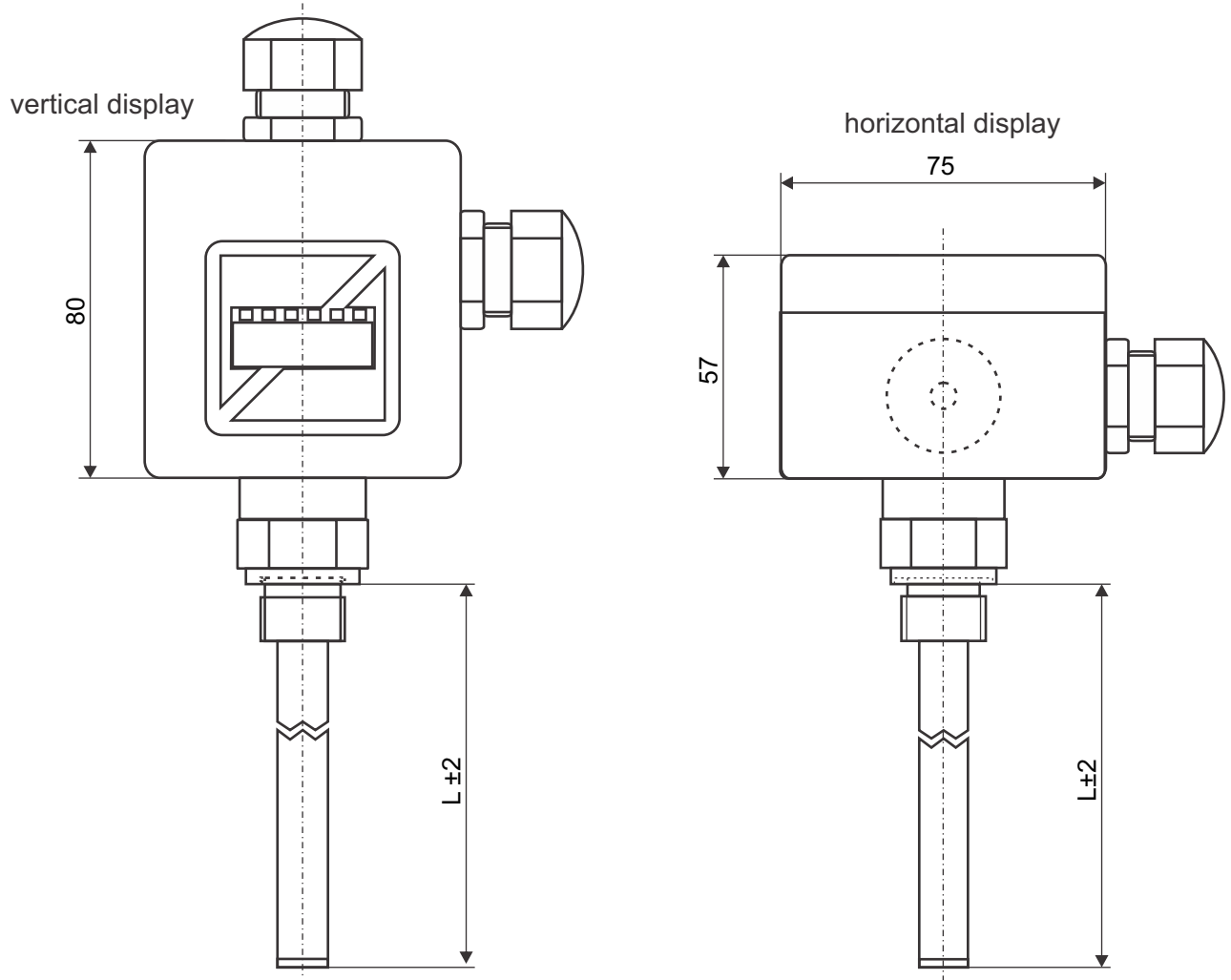


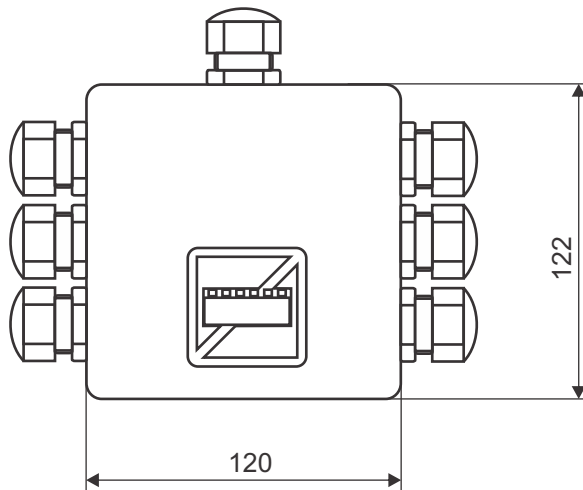
Data sheet
Adjustable temperature switch with actual value indicator
Type: UTS-1...

Exemplary variant with terminal strip



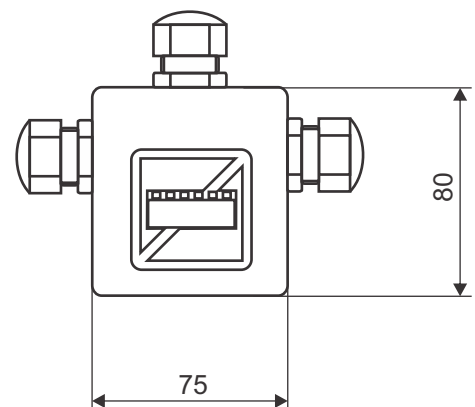
incl. NBR seal

Housing 122x120x66



Exemplary variant with terminal strip

Housing 80x75x57



Data sheet

Adjustable temperature switch with actual value indicator

Type: UTS-1...

Order key	UTS-1.	2.	SI19.	GH15.	E.	AS01x2.	BE04.	RH01=350
Temperature channels up to 6 possible	[Diagram showing connection lines for temperature channels]							
optional Analogue output SI19 = universal U/I *2	[Diagram showing connection lines for analogue output]							
Housing: GH12 = 80x75x57 horizontal GH13 = 80x75x57 vertical GH14 = 122x120x66 horizontal GH15 = 122x120x66 vertical	[Diagram showing connection lines for housing options]							
optional: E1 - Execution: sensor detached, Cable: 1.5m	[Diagram showing connection lines for optional execution]							
Connection: AS01 = M12x1 4-pin AS26 = terminal strip / M20 cable gland AS19 = terminal strip / M16 cable gland AS08 = 3 pin DIN valve connector x2 = number of connectors 120 housing max.7 80 housing max.3	[Diagram showing connection lines for connection options]							
Process connection: see table 1 BE04 = 1/2" alu BE15 = 1/2" stainless steel BE66 = 1/2" stainless steel adjustable BE35 = 1/2" brass adjustable BE67 = 1/2" NPT brass adjustable BE68 = 1/2" with protection tube stainless steel BE69 = 3/8" brass adjustable BE05 = 3/4" alu BE51 = 1" alu BE49 = 1" stainless steel BE02 = M20x1,5 alu BE53 = M22x1,5 alu BE54 = M24x1,5 alu BE21 = flange 80x50 PA adjustable BE50 = flange OD90 PCD73 alu BE01 = via housing floor	[Diagram showing connection lines for process connection options]							
Sensor tube: see table 1 RH01 = ø8mm brass RH02 = ø8mm stainless steel RH03 = ø12mm brass RH09 = ø12mm stainless steel	[Diagram showing connection lines for sensor tube options]							
Length: installation depth L in mm	[Diagram showing connection lines for length]							

Other variants and materials are available on request

Table 1	Process connection BExx see page 5-7															
Sensor tube RHxx	BE04	BE15	BE66	BE35	BE67	BE68	BE69	BE05	BE51	BE49	BE02	BE53	BE54	BE21	BE50	BE01
RH01	✓	—	—	✓	—	—	—	✓	✓	—	✓	✓	✓	—	—	✓
RH02	—	✓	—	—	—	—	—	—	—	✓	—	—	—	—	—	✓
RH03	✓	—	—	✓	✓	—	✓	—	—	—	—	—	—	✓	✓	✓
RH09	—	✓	✓	—	—	✓	—	—	—	—	—	—	—	—	—	✓

Data sheet

Adjustable temperature switch with actual value indicator

Type: UTS-1...

Technical data

Housing:	alu housing 122x120x66 mm (hxwxd) or alu housing 80x75x57 mm (hxwxd)
Connection:	spring clamp with cable gland M20x1,5 clamp-Ø 6-13mm or cable gland M16x1,5 clamp-Ø 3-10mm, M12x1 4-pole conector, a-coded, valve connector 3-pole + PE DIN EN 175301-803 (DIN 43650)
Display:	7 segment display, red, 4 digits, 7.26mm
Process connection:	see order key
Tube:	ø8 or ø12mm, material brass or stainless steel
Temperature switching point:	with 120er housing max. 6 channels + 1 analogue ^{*1,2} with 80er housing max. 26 channels + 1 analogue ^{*1,2}
Switching capacity:	230V/16A (terminal block/valve connector), 30V/ 2A (M12 connector a-coded)
Switching contact:	Relay changeover contact, potential-free, configurable
Temperature setting range:	-20°C to 120°C
Measuring range temp.:	-35°C to 124°C measuring accuracy typ. ±0.25°C from -10 °C to 60 °C measuring accuracy typ. ±0.7°C from -35 °C to 124 °C sensitivity: 0.01°K/digit, display resolution: 1.0°C
Supply voltage:	24VDC ±15%, protected against polarity reversal
Operating current:	<100mA to 24VDC
Pressure:	max. 1 bar, higher pressure on request
Operating temperature:	-20°C up to 120°C ^{*3} in medium, -20°C to 70°C above mounting
Protection rating:	IP 65
Certifications	CE, RoHs, DIN EN 61326-1 Criteria B, DIN EN 61000-4-2 bis 3, DIN EN 61000-6-2 bis 6

:

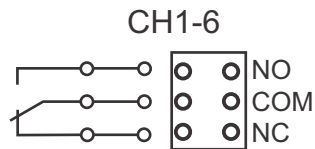
^{*1} depending on the entire configuration, see matrix
^{*2} adjustable: 0-10V, 0-5V, 0-12V, 0-20mA, 4-20mA, 0-24mA
^{*3} Material dependent

Data sheet

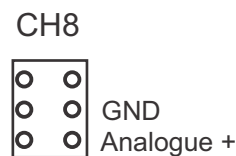
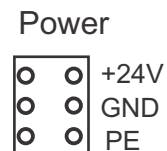
Adjustable temperature switch with actual value indicator

Type: UTS-1...

Terminal diagram



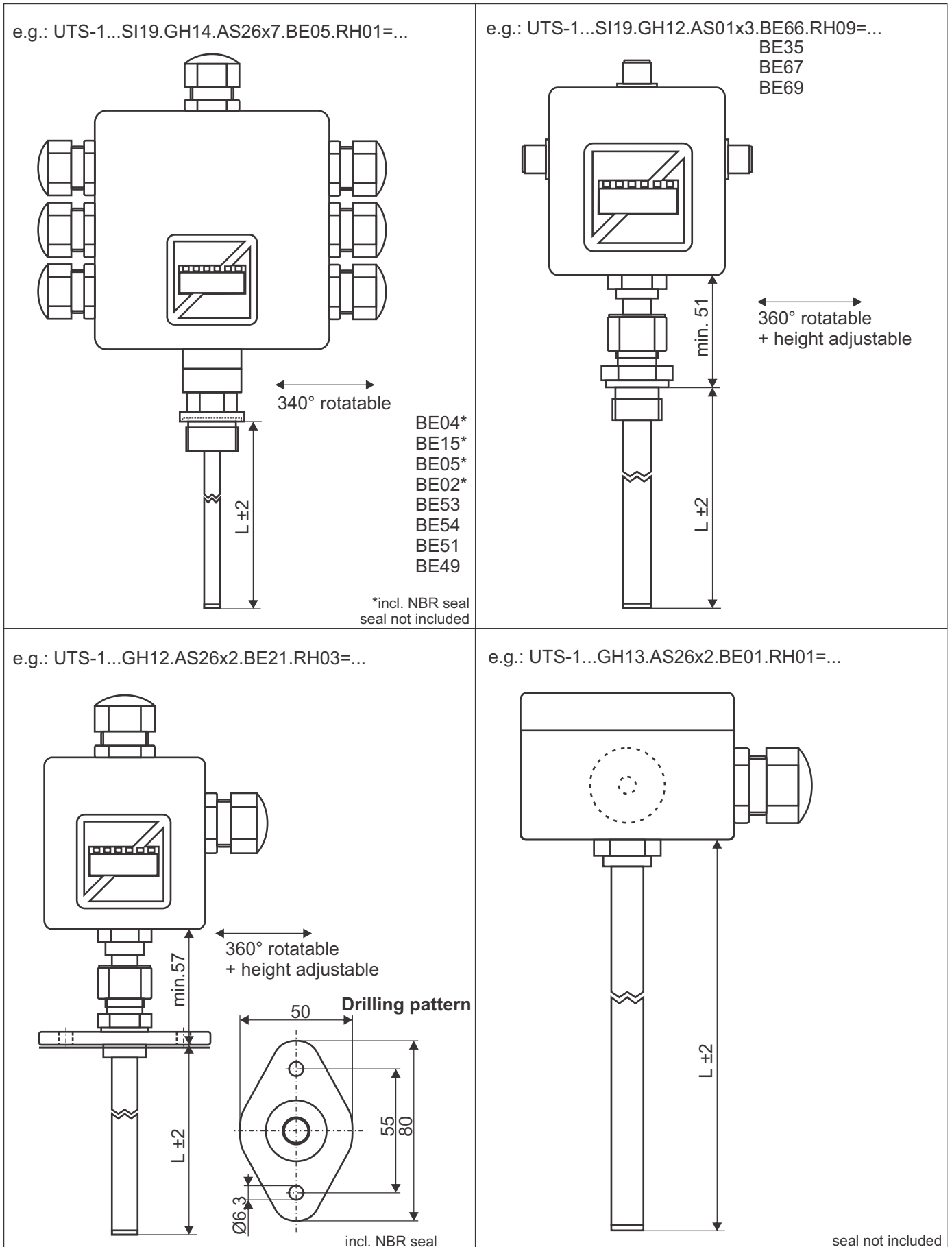
Drawn in the unactuated state
Channel 1 to 6
Changeover contact, potential-free



Clamp	1	2	3	4	5	6			8
Temperature	T	T	T	T	T	T			
Analogue									AT
	80er Housing							80er Housing	
	120er Housing								

AT - Analogue Temperature measurement
T - Temperature switch point

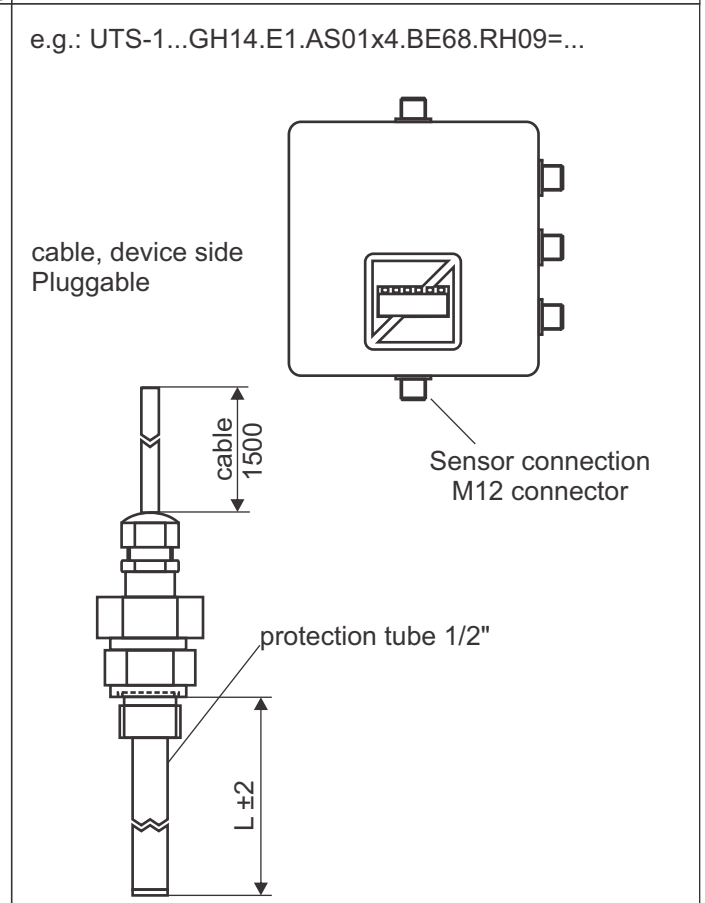
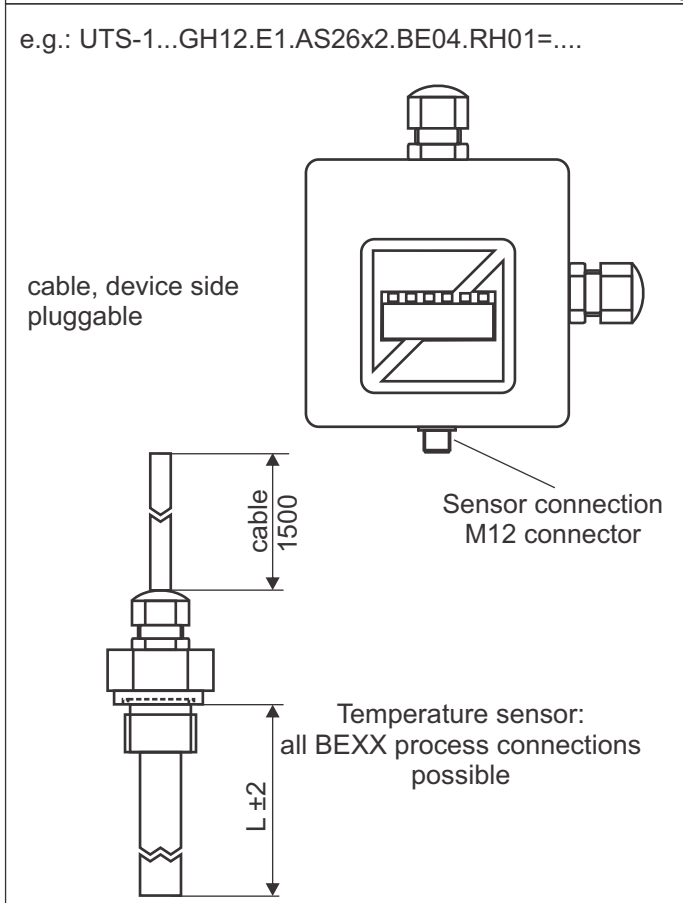
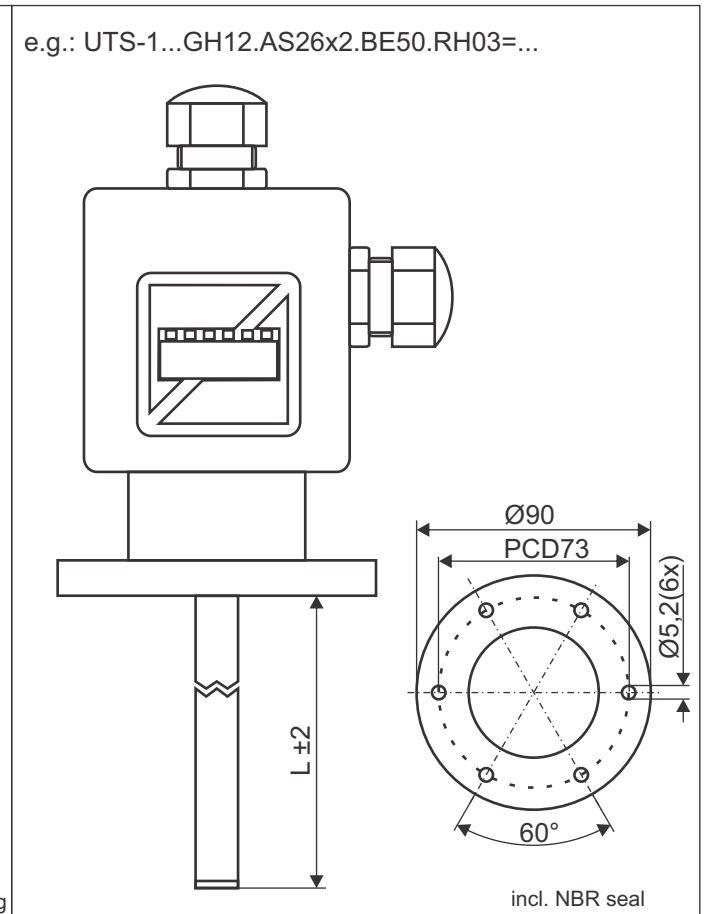
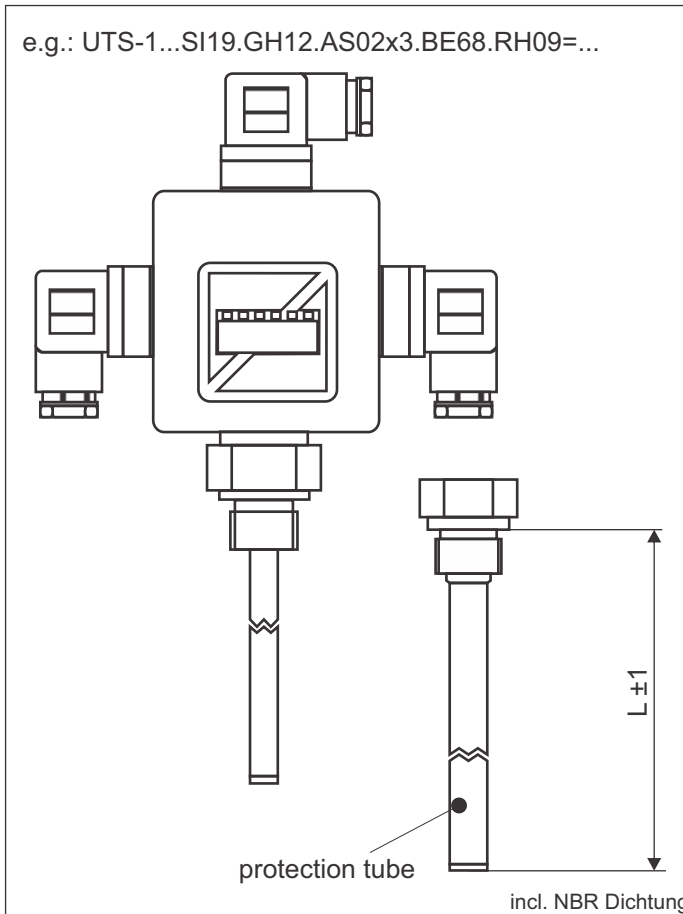
Data sheet
Adjustable temperature switch with actual value indicator
Type: UTS-1...



Data sheet

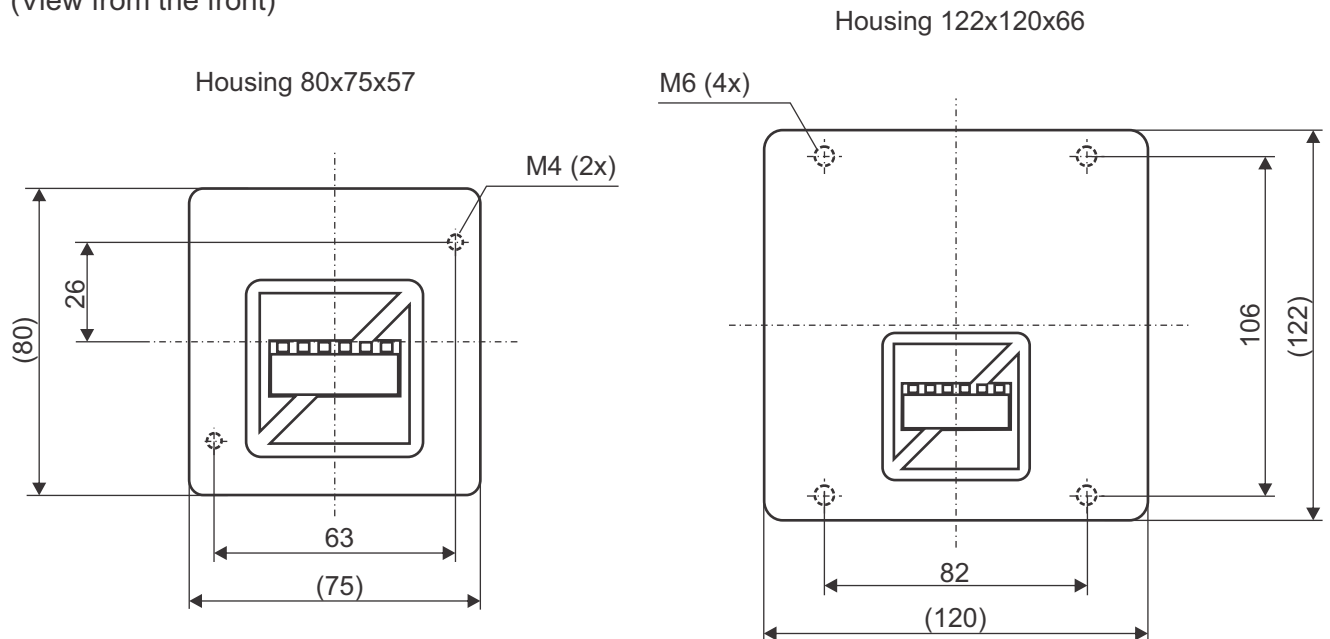
Adjustable temperature switch with actual value indicator

Type: UTS-1...

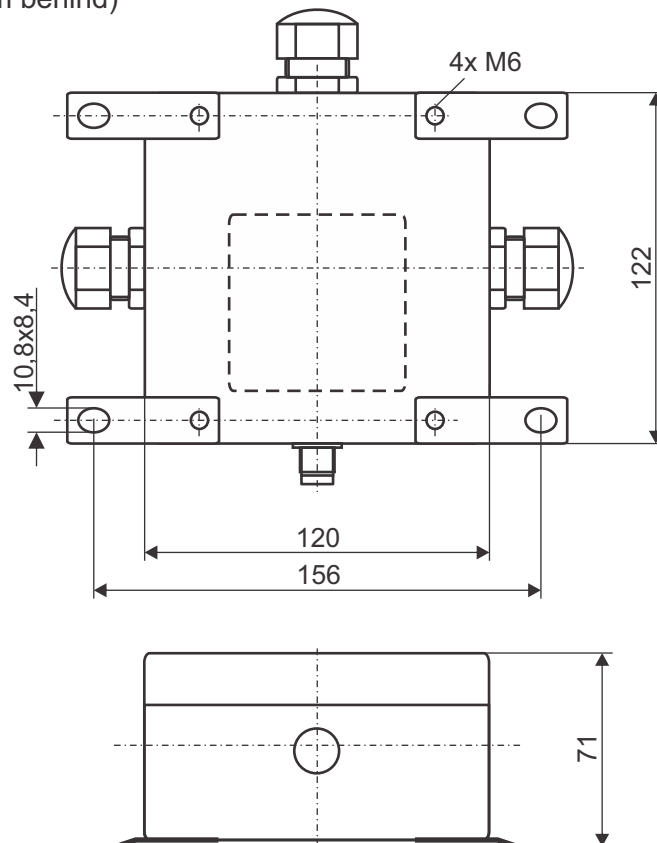


Data sheet
Adjustable temperature switch with actual value indicator
Type: UTS-1...

Drilling pattern
(View from the front)



Equipment
(View from behind)



Fastening tabs as
wall mount for
Housing (122x120)
Order number G110015

Further accessories on request