

# Data sheet

## Mini float switch PVC

### Type: MH.3...

#### Order key

MH. 3 . A3 . B3 . C3 . 100 . 200 . 300 . 02 . 93 . 10

#### Type mini float switch MH

Material tube  
PVC tube ø8 --3

#### Function switching point A

closes on level drop ----- A3  
opens on level drop ----- A4  
change over contact----- A5  
n.c. contact/n.o. contact -- A3/A4\*

#### Function switching point B

closes on level drop --- B3  
opens on level drop --- B4  
change over contact -- B5  
n.c. contact/n.o. contact -- B3/B4\*

Explanation:  
for a device with  
one switching point use  
switching point B.  
Example:MH.3.B3.100.xx.xx.x

#### Function switching point C

closes on level drop --- C3  
opens on level drop ----- C4  
change over contact ----- C5  
n.c. contact/n.o. contact -- C3/C4\*

switching point SPA  
in mm customer specification

switching point SPB  
in mm customer specification

switching point SPC  
in mm customer specification

#### Float

ø25x21mm PVC ----- 10  
ø25x21mm PP ----- 11  
ø20x22mm PP foamed ----- 12  
ø17,5x20mm NBR foamed -- 13  
ø20x20mm NBR foamed----- 14  
ø23x25mm NBR foamed ---- 15

#### Mounting

Installation from inside  
thread G1/8" PVC ----- 77  
thread G3/8" PVC ----- 93  
thread PG7 PVC ----- 94

Installation from the outside  
thread G1" PVC ----- 03  
flange OD58 PCD48 PVC ----- 95

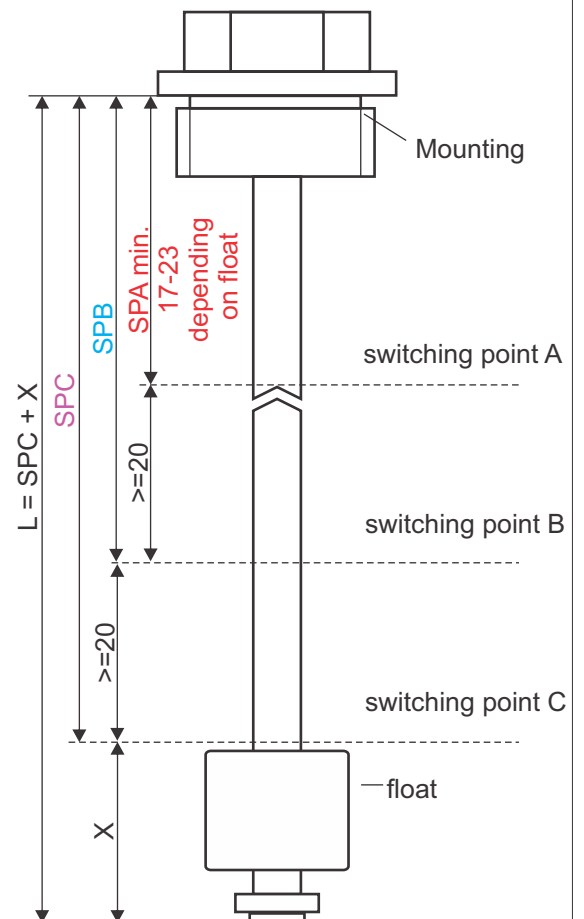
#### Connection

cable 0,25mm<sup>2</sup> PVC  
Length according to specification --- 41=...  
e.g.1000mm  
M12 4pole --- 02  
valve plug --- 01

#### Schwimmer:

- 10 - X=20 at density approx. 0,70g/cm<sup>3</sup> rotatable\*
- 11 - X=17 at density approx. 0,55g/cm<sup>3</sup> rotatable\*
- 12 - X=23 at density approx. 0,70g/cm<sup>3</sup> rotatable\*
- 13 - X=23 at density approx. 0,70g/cm<sup>3</sup>
- 14 - X=23 at density approx. 0,75g/cm<sup>3</sup> rotatable\*
- 15 - X=23 at density approx. 0,60g/cm<sup>3</sup>

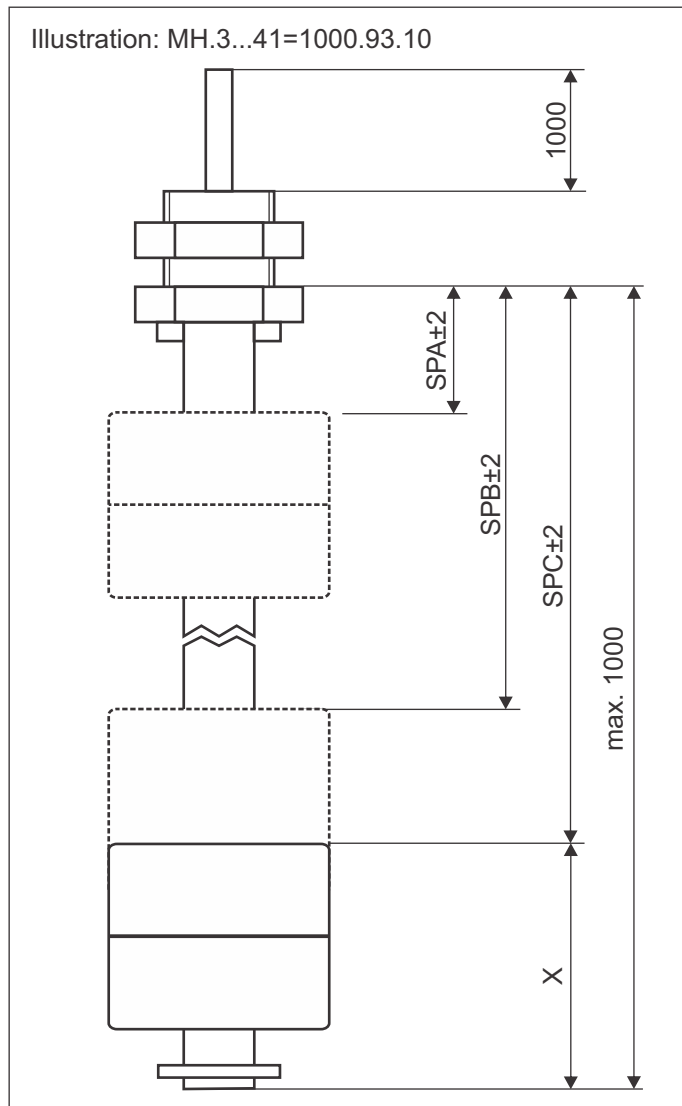
\*By turning the float by 180° the switching function normally closed/ normally open can be changed. (Important! 1 float per switching point)



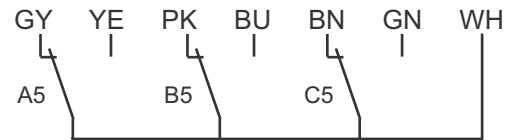
# Data sheet

## Mini float switch PVC

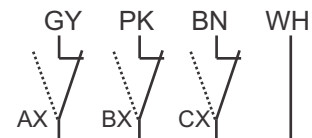
### Type: MH.3...



#### Terminal diagram



Example: 3x change over contact



Example: 3x n.c. contact / n.o. contact

#### Technical data

Connection:	cable 0,25mm <sup>2</sup> , material PVC, wire ID code DIN 47100, length according to specification connector M12x1, 4 pole (only in connection with G3/8") valve plug according to DIN 43650 (only in connection with G1")
Mounting:	thread G1/8", thread length 12mm, SW17, material PVC thread G3/8", thread length 12mm, SW22/24, material PVC thread PG7, thread length 12mm, SW19, material PVC thread G1", thread length 16mm, SW27, material PVC flange OD58 PCD48, material PVC
Tube:	Ø8mm, material PVC, length min 40mm to max. 1000mm
Float:	see order key
Switching points:	see order key
Switching capacity:	at switching function n.c. contact - 175V / 0,25A / 5VA n.o. contact - 200V / 0,50A / 10VA change over contact - 175V / 0,25A / 5VA n.c. contact/n.o. contact - 200V / 0,50A / 10VA
	contact protection must be provided
Pressure:	max. 5 bar
Operating temperature:	-25°C to 60°C
Protection rating:	IP 65
Attention: Version without protective earth conductor. Operate only with protective extra-low voltage or external grounding!	

**Data sheet**  
**Mini float switch PVC**  
**Type: MH.3...**

